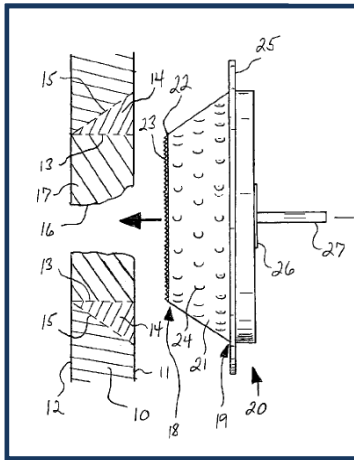


Patent for Easy-to-use Drywall Repair Tool

US Patent Number 7,540,122 with Related IP Assets

This Portfolio is Available for Purchase or License

Instant Drywall Repair: Easy Removal and Replacement of Damaged Material



Although dozens of websites describe the ways to repair damaged drywall, we've never found an easier, faster, or better way to patch a damaged section of wall. Retailers have always bundled together small pieces of wallboard material, drywall mud, and tape in efforts to appeal to consumers; however, not one of these retail "kits" comes close to the near-perfect results delivered by this patented drywall repair method and tool. No specialized skills are needed for a perfect result.

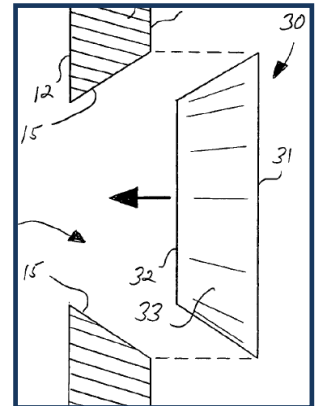
Inventor Wally Trudeau created this convenient new professional and home repair product to make fixing a dent or hole in drywall a breeze. His patented tapered drywall tool removes the damaged section of material and leaves a tapered and easily repaired hole (see drawing at left). Simply inserting a perfectly matched plug and skim coating the surface with mud completes the job. The entire process takes only a few minutes. When the mud is dry, the area is ready to be sanded lightly and painted. It's impossible to tell that the wall had ever been damaged and repaired!

Hot New Product: For Maintenance Professionals and DIY Home Repair Consumers

The traditional approach to drywall repair involves using a drywall or utility knife, keyhole saw, or circular hole saw to remove a dented, broken, or otherwise damaged section of drywall material. The open area must have a backing material secured to the inside of the hole to support the replacement material. Sometimes, larger sections of material are removed to expose portions of the wall studs to support the replacement section of Sheetrock.¹

Either way, the replacement material must be secured to the backing of the existing material, and front-side tape is usually applied. Finally, drywall compound or "mud" must be applied, permitted to dry, and sanded. Sometimes one or more base coats must be covered with a final skim coat and sanded smooth before the area is perfect enough to paint. A good repair should be as strong as the original material and invisible once the final coat of paint has dried.

The majority of minor drywall damage is caused by objects impacting the wall, typically by puncturing, tearing, cracking, or denting the surface. Inventor Wally Trudeau took this into account so that his novel repair tool would be "sized right" to allow residents to cleanly extract and repair most types of damage on their own. For professionals like home insulation installers who drill hundreds of holes, the new tool provides welcome assistance.



Proven Market: The "Drywall Repair Tool and Method" Patent is For Sale

A simple keyword search of Amazon or Google Shopping reveals dozens of established "kit" and convenience products currently sold in the well-established drywall repair market. However, a careful examination reveals that some products address only one of the problems encountered during repair with solutions such as easy material removal, while other products ignore those challenges in their attempts to solve a different problem. Until now, no product has gotten everything right. Wally Trudeau's invention is the only drywall repair product that delivers a perfect result every time, regardless of the user's skill level and experience. His patent and drywall know-how are currently available for purchase or license to a serious buyer who is committed to entering the lucrative home and professional tool market with a uniquely competitive product that promises high gross margins.

For More Information: Call Today!

AmiCOUR IP Group is pleased to offer additional information on the purchase or license of this intellectual property asset. Please contact Scott Bechtel, CLP by phone at (765) 807-2480 or by email at sbechtel@amicourip.com. Notice: The purchase or licensing of intellectual property carries inherent risk, so prospective buyers or licensees should seek professional assistance if they are not familiar with intellectual property assets, patent law, and licensing practices. ¹Sheetrock is a popular brand of drywall material trademarked by the United States Gypsum Company and is unrelated to this product.

www.amicourip.com

© 2013 AmiCOUR IP Group LLC